



YP-M101

TIEPIN TYPE MICROPHONE

Order no: YP-M101

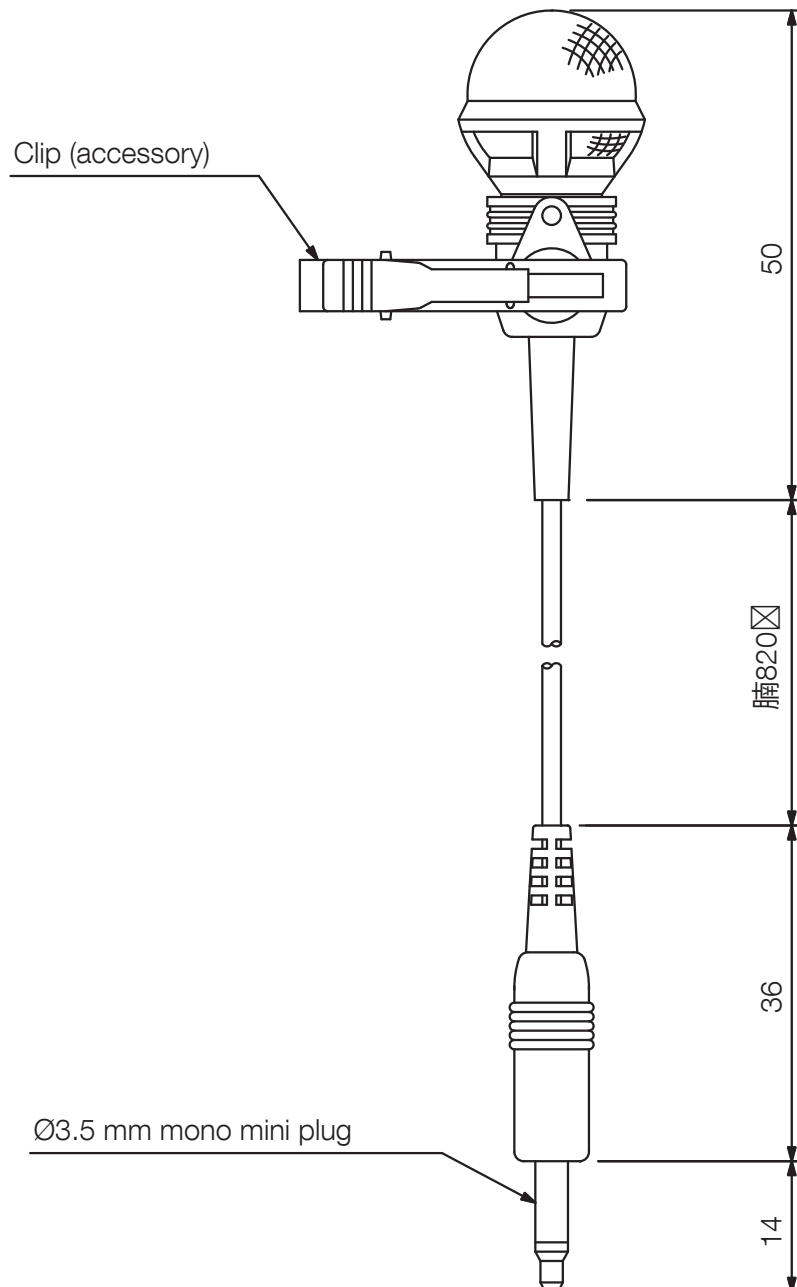
Specifications

Power source	supplied from beltpack unit
Connection	3.5 mm mini plug
Type	Electret condenser
Directivity	Unidirectional
Maximum SPL	115 dB
Cable length	0,80 m
Finish	Surface treated steel plate, white paint (RAL9016)

YP-M101

TIEPIN TYPE MICROPHONE

Appearance



UNIT:mm

SCALE:1/1

Note: Numerical values in parentheses are for reference only.