



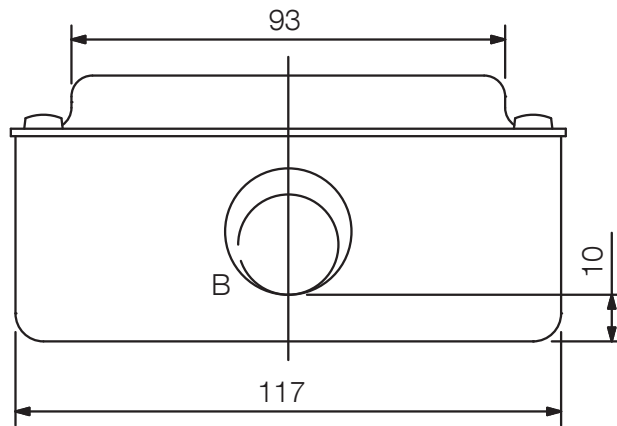
Order no: YC-150

Specifications

Dimensions (W x H x D)	184 x 119 x 57 mm
Dimensions (ø x D)	x 57 mm
Finish	Surface treated steel plate, white paint (RAL9016)

Appearance

Bottom View



Dimension of knockout hole
A: 21.5
B: 27.1

UNIT:mm

SCALE:1/2