

# VX-200PS

POWER SUPPLY UNIT

The VX-200PS Power Supply Unit is mounted in the VX-2000PF Power Supply Frame when in use. There are 2 DC output channels per unit. Use the VX-200PS in the number suited to the required total system power.



Order no: VX-200PS ER

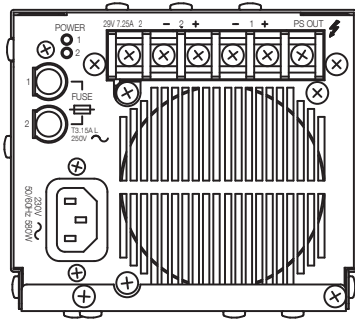
## Specifications

Power source	230 V AC, 50 / 60 Hz
Power consumption	580 W
Outputs	DC Power Output: Rated output: 210 W (29 V, 7.25 A) x 2, Peak output: 400 W x 2, M4 screw terminal
Finish	Surface treated steel plate, white paint (RAL9016)
Operating temperature	0 °C to +40 °C


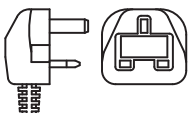
# VX-200PS

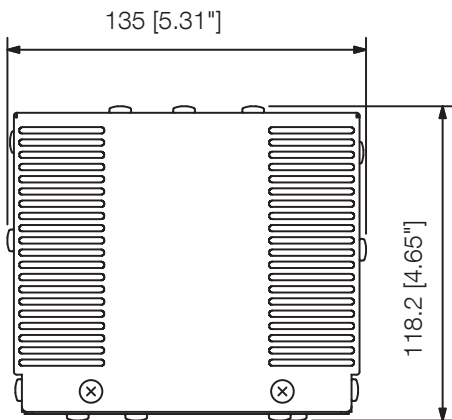
POWER SUPPLY UNIT

## Appearance

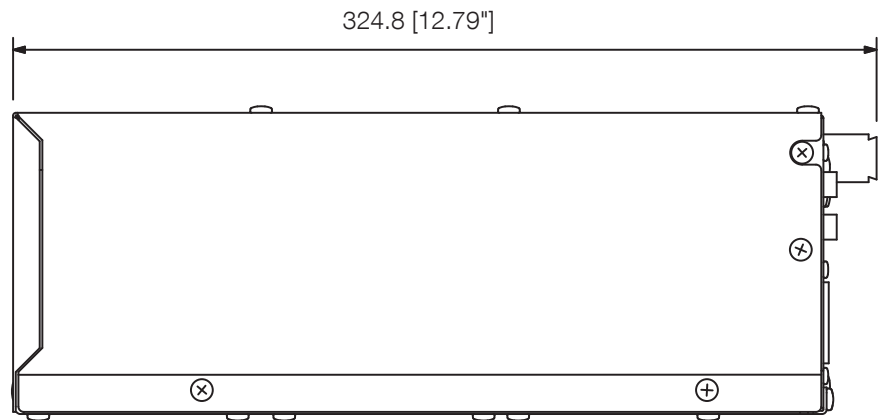


Rear View

Model	ER	UK
AC plug		



Front View



Side View

UNIT:mm SCALE:1/3