

The TU-651M is a highly intelligible driver unit suited to public address announcement applications. Use the driver unit in combination with a suitable horn (optional). Its powder-coated finish and stainless steel screws ensure the unit's weatherproof capability.

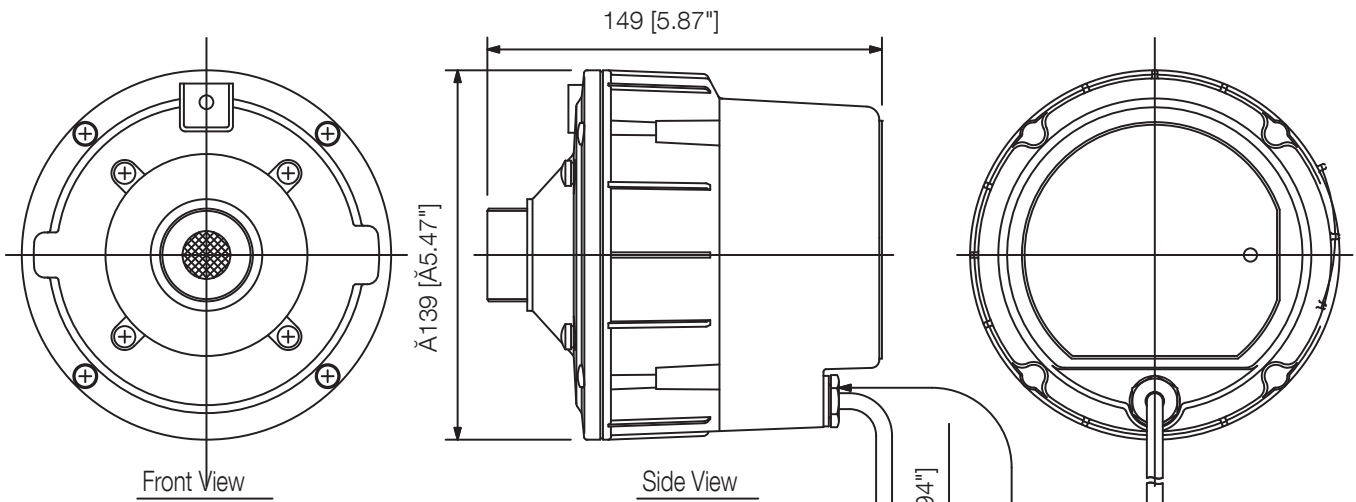


Order no: TU-651M

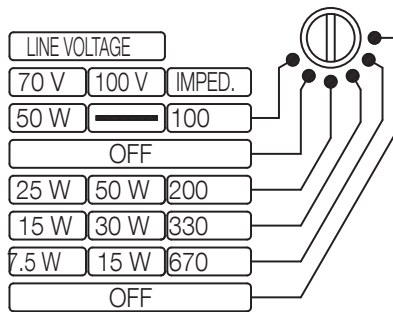
Specifications

Frequency response	150 Hz - 6 kHz
Sensitivity (1#V, 1#n) (combined)	110 dB (with TH-650, TH-660)
Rated input	50 W
Tappings	100V LINE: 200Ω (50W), 330Ω (30W), 670Ω (15W) 70V LINE: 100Ω (50W), 200Ω (25W), 330Ω (15W), 670Ω (7.5W)
Rated impedance	100 V, 70 V
Finish	Surface treated steel plate, white paint (RAL9016)

Appearance

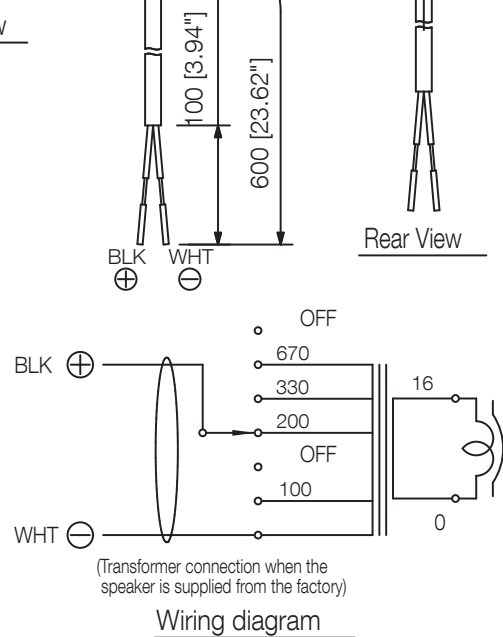


CAUTION
NEVER SET THE SWITCH TO " " POSITION
FOR 100 V LINE OPERATION, AS DOING SO MAY
RESULT IN DAMAGE TO THE SPEAKER.



Set the impedance selector to the desired impedance.

Impedance Selection



UNIT:mm

SCALE:1/3