

# TS-919B1

BRIDGE UNIT

The TS-919B1 is a Bridge unit for connecting a single Wired Conference unit of the TS-811, TS-911, TS-812, or TS-912. It connects to the conference unit with a Category 5 cable.

---



Order no: TS-919B1  
Alternative products: TS-910

---

## Specifications

Power source	24 V DC (supplied from the optional TS-918 Expansion Unit)
Current consumption	16,0 mA
Connection	Communication cable connection terminal: RJ45 connector × 2 Conference unit connection terminal: RJ45 connector
Dimensions (W x H x D)	68 x 60,3 x 24 mm
Dimensions (ø x D)	x 24 mm
Finish	ABS resin, black

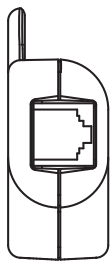
# TS-919B1

BRIDGE UNIT

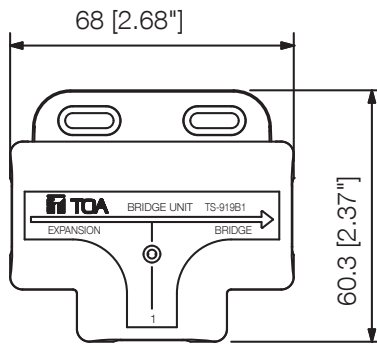
Appearance



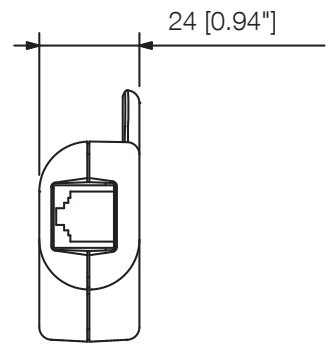
Top View



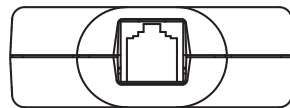
Left Side View



Front View



Right Side View



Bottom View

UNIT:mm

SCALE:1/2