

RS-480

SUB STATION

The RS-480 is a substation to be connected to the N-8400RS 4-Wire Substation Interface Unit. Pressing a call button will initiate a call to a preprogrammed master station, enabling a conversation. Also, it can be used in connection with the RS-481 Option Handset. The RS-480 is equipped with a Status indicator.

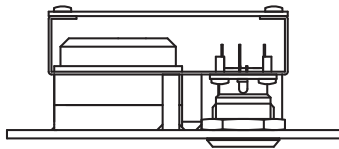


Order no: RS-480
 Alternative products: N-8640DA, N-8640DS,
 N-8650DS, N-SP80AS1

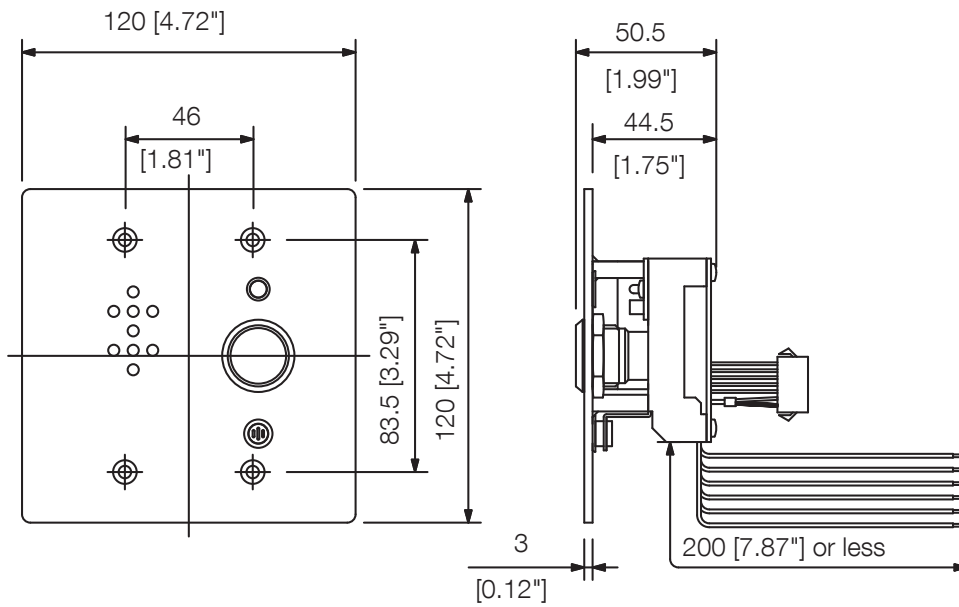
Specifications

Call-in switch	Momentary (Emergency call: Press twice within 400 ms)
Wiring method	2 set of twisted pair cable
Dimensions (W x H x D)	120 x 120 x 50,5 mm
Dimensions (ø x D)	x 50,5 mm
Finish	Stainless steel, hairline,

Appearance

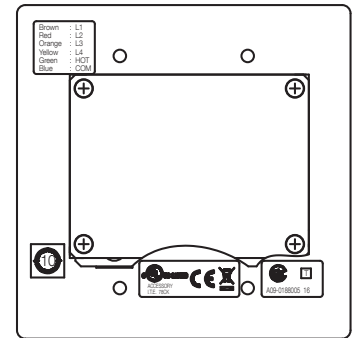


Top View



Front View

Side View



Rear View

UNIT:mm SCALE:1/3