

RS-160

SUB STATION

The RS-160 can call and converse with the registered master stations. It utilizes a 2-core shielded cable.

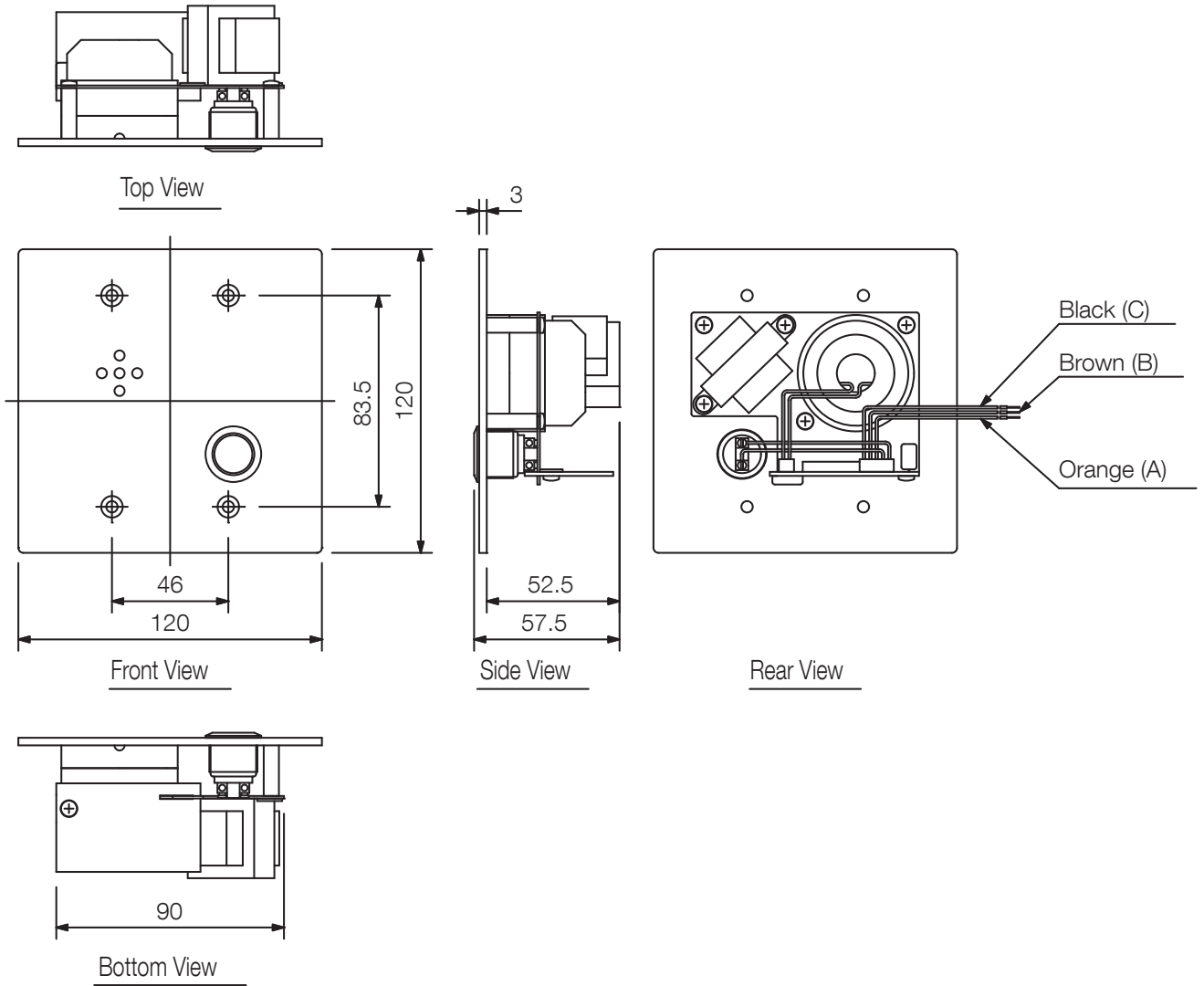


Order no: RS-160
Alternative products: RS-410EC, RS-460,
N-8050DS, N-8650DS

Specifications

| | |
|--------------------------|----------------------------|
| Rated impedance | 625 Ω (1 W / 25 V) |
| Speaker component | 4 cm, cone-type |
| Dimensions (W x H x D) | 120 x 120 x 57,5 mm |
| Dimensions (ϕ x D) | x 57,5 mm |
| Finish | Stainless steel, hairline, |

Appearance



UNIT:mm SCALE:1/3