

# RS-150

SUB STATION

The RS-150 can call and converse with the registered master stations. It utilizes a 2-core shielded cable.

---



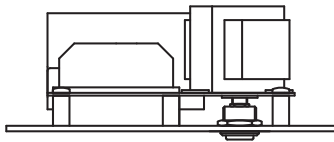
Order no: RS-150  
Alternative products: RS-450, RS-410EC,  
N-8650DS, N-8050DS

---

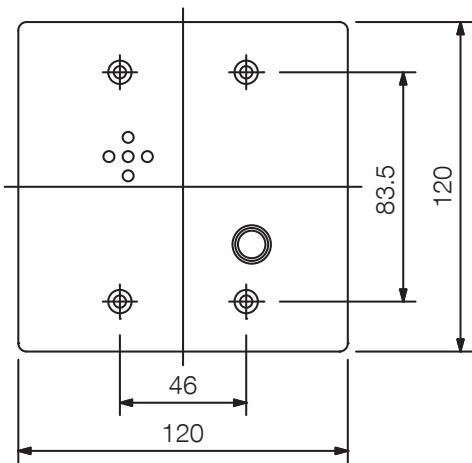
## Specifications

Rated impedance	625 $\Omega$ (1 W / 25 V)
Speaker component	4 cm, cone-type
Dimensions (W x H x D)	120 x 120 x 48,5 mm
Dimensions ( $\phi$ x D)	x 48,5 mm
Finish	Stainless steel, hairline,

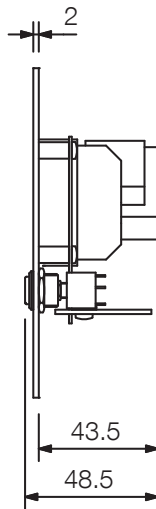
Appearance



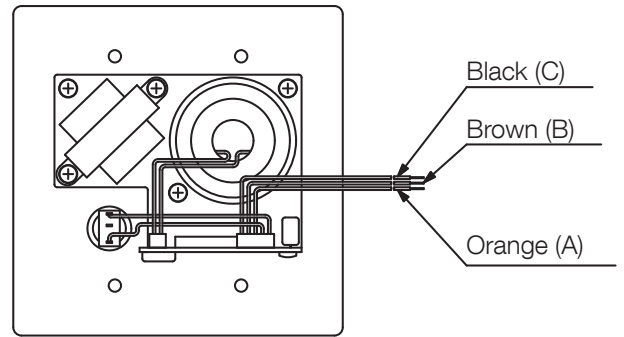
Top View



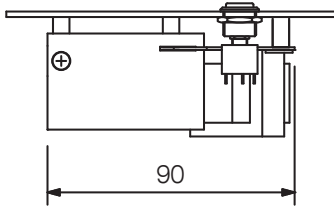
Front View



Side View



Rear View



Bottom View

UNIT:mm SCALE:1/3