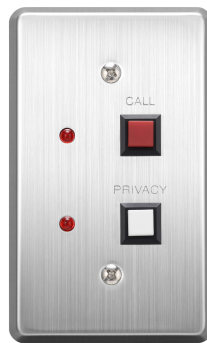


# RS-140

SW PANEL

The RS-140 is a switch panel designed for use with the N-8000RS or N-8010RS 2-Core Shielded Substation Interface Unit. It is equipped with a Call button and a Privacy button, and can be installed in a 1-gang electrical box. By connecting a high impedance speaker to it, hands-free conversation with the master station can be made through its speaker. Also, it can be used in connection with the RS-141 Ip Intercom Option Handset.

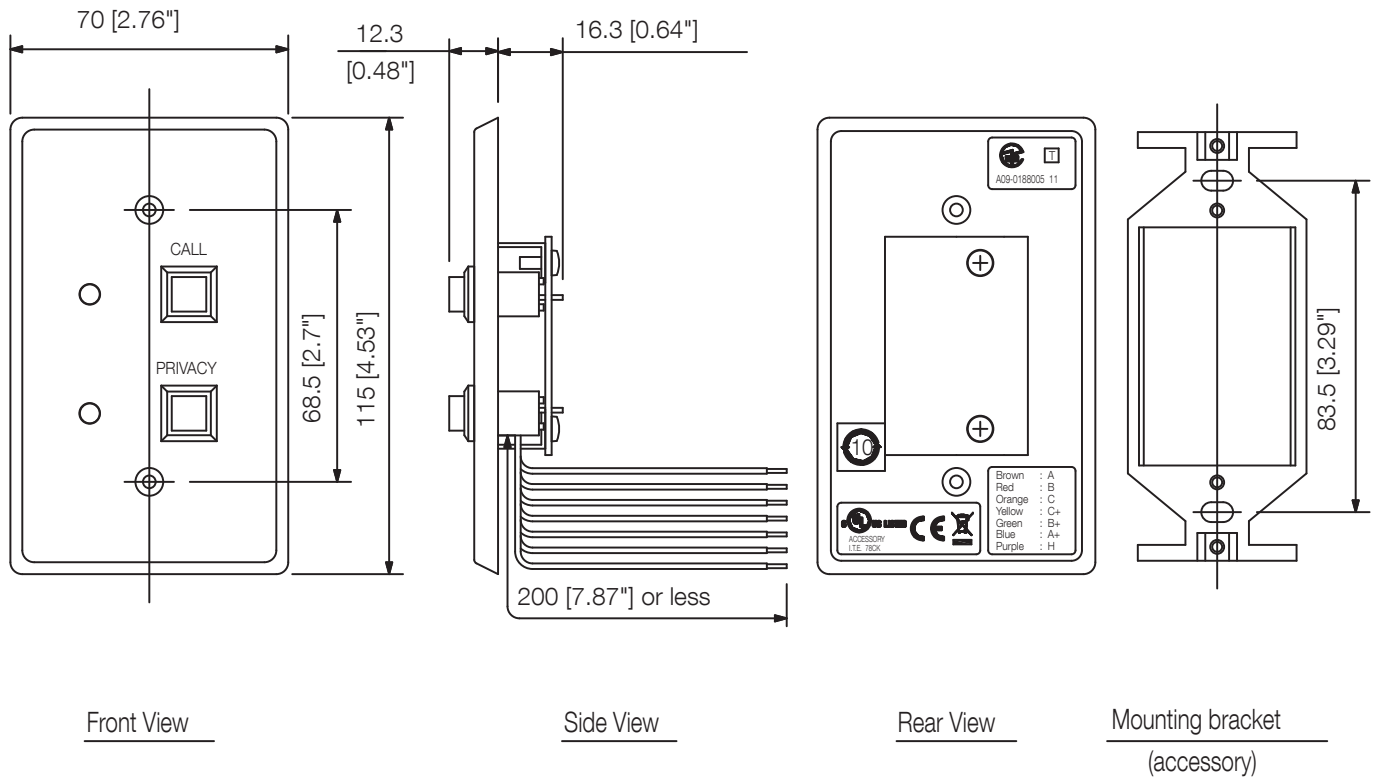


Order no: RS-140  
 Alternative products: RS-410EC, RS-442,  
 RS-450, RS-460, RS-470, RS-480

## Specifications

Call-in switch	Momentary
Privacy switch	Latching
Wiring method	Two-core shielded cable
External speaker connector	$\geq 600 \Omega$
Dimensions (W x H x D)	70 x 115 x 28,6 mm
Dimensions ( $\phi$ x D)	x 28,6 mm
Finish	Stainless steel, hairline,

Appearance



UNIT:mm SCALE:1/2