

The PE-64 is a pendant speaker designed for ceiling suspension installations. Considered in architectural design, it can blend in with lighting equipment. A directly-attached 5 m (16.4 ft) cable allows the speaker to be suspended from the high ceiling. The PE-64 is driven on high-impedance (100 V and 70 V) line. The input power (impedance) can be easily changed at the upper side of the speaker. The speaker is easy to repaint so as to meet a wide range of design needs.

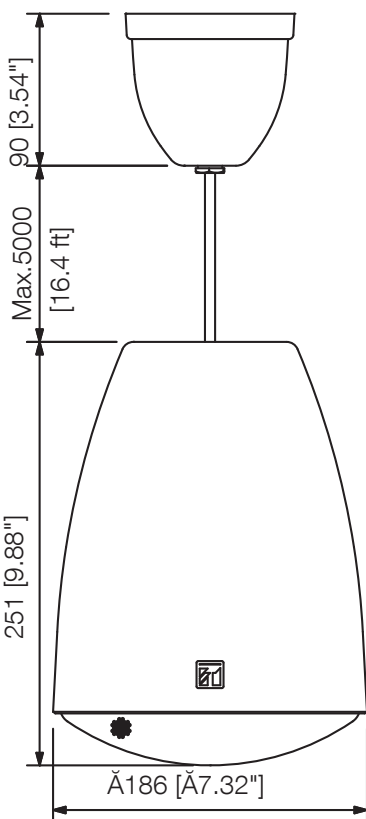
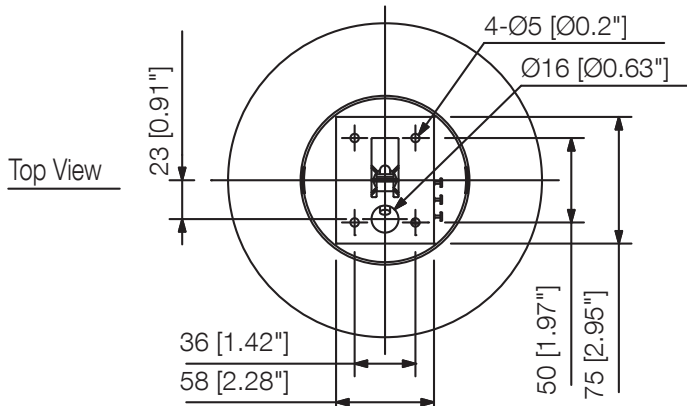


Order no: PE-64

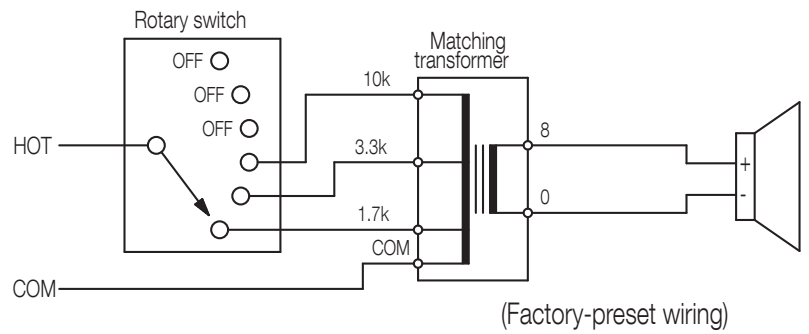
Specifications

Frequency response	100 Hz - 18 kHz
Connection	Push-in connector (bridging terminal - 2 branch type)
Sensitivity (1#V, 1#m) (combined)	90 dB (500 Hz - 5 kHz, pink noise)
Speaker component	12 cm cone-type
Rated input	6 W
Tappings	100V LINE: 1.7kΩ (6W), 3.3kΩ (3W), 10 kΩ (1W) 70V LINE: 1.7kΩ (3W), 3.3kΩ (1.5W), 10 kΩ (0.5W)
Rated impedance	100 V, 70 V, 8 Ω
Dimensions (W x H x D)	x 251
Dimensions (ø x D)	186
Finish	HIPS resin, off-white (RAL 9010 or equivalent)

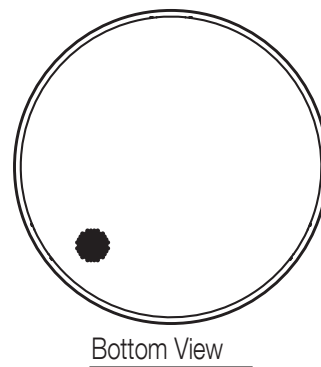
Appearance



Front View



Wiring Diagram



UNIT:mm

SCALE:1/5