

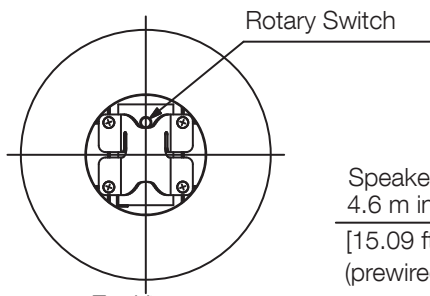


Order no: PE-304WU

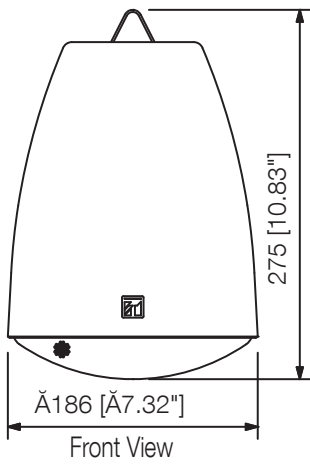
## Specifications

Frequency response	95 Hz - 20 kHz (-10 dB from sensitivity)
Sensitivity (1#W, 1#m) (combined)	90 dB (330 Hz – 3.3 kHz, pink noise)
Speaker component	12 cm cone-type + balanced-dome tweeter (coaxial)
Rated input	30 W
Tappings	100V line: 330Ω (30W), 1kΩ (10W), 3.3kΩ (3W), 10kΩ (1.3W)70V line: 170Ω (30W), 330Ω (15W), 1kΩ (5W), 3.3kΩ (1.5W), 10kΩ (0.6W)25V line: 170Ω (3.7W), 330Ω (1.9W), 1kΩ (0.6W), 3.3kΩ (0.2W), 10kΩ (0.1W)Low impedance: 8Ω
Rated impedance	100 V, 70 V, 8 Ω
Dimensions (W x H x D)	x 275
Dimensions (ø x D)	186
Finish	HIPS resin, off-white (RAL 9010 or equivalent)

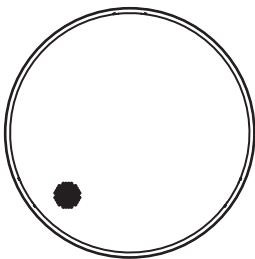
Appearance



Top View

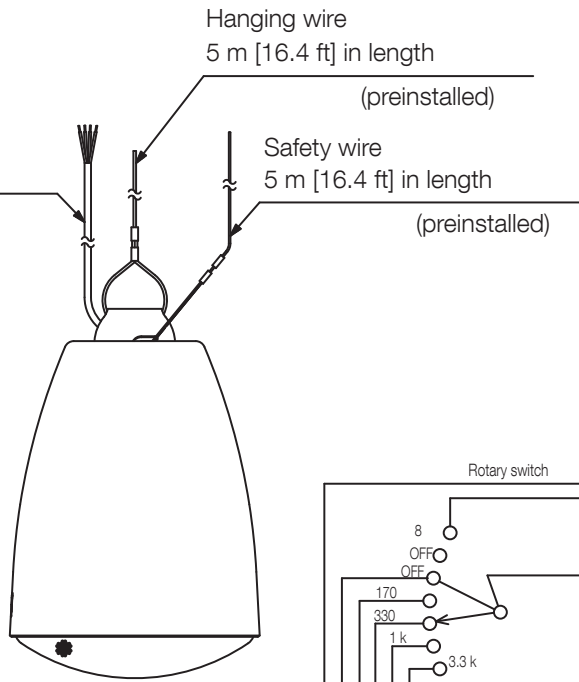


Front View



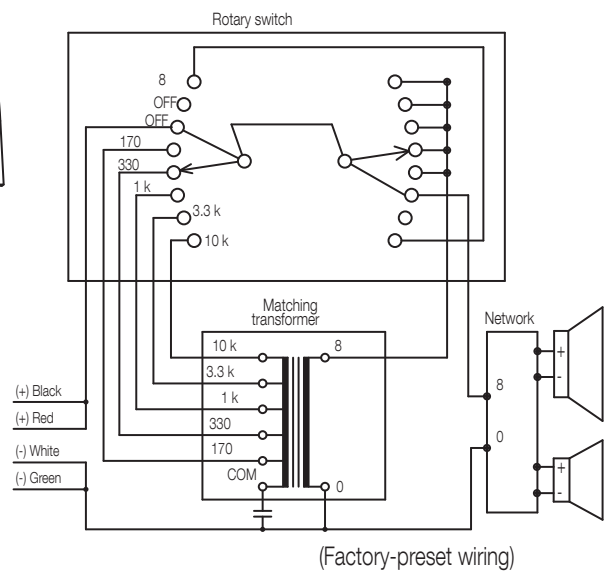
Bottom View

UNIT:mm SCALE:1/6



Side View

Wiring Diagram



\* Never connect the 170 terminal to the 100 V line.

\* Never connect the 8 terminal to the 100 V or 70 V or 25 V line.