

The PC-648R is a ceiling mount speaker with a resin panel and speaker frame. It features a spring clamp mechanism for easy speaker mounting to the ceiling. The input impedance can be easily changed by adjusting the tap position of the transformer.

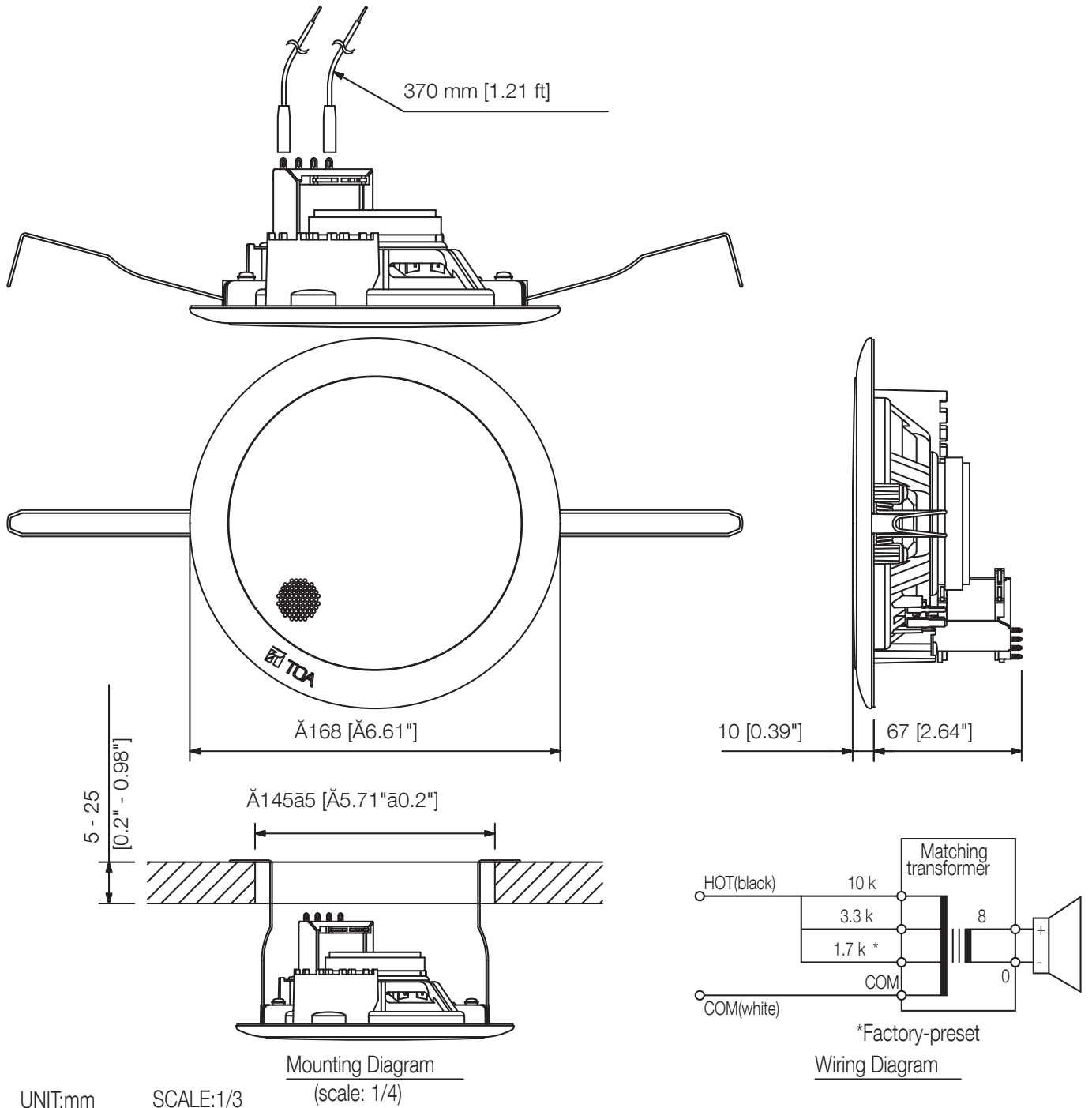


Order no: PC-648R

Specifications

Frequency response	100 Hz - 18 kHz
Sensitivity (1#V, 1#m) (combined)	90 dB
Speaker component	12 cm cone-type
Rated input	6 W, 3 W
Tappings	6 / 3 / 1 W (100 V), 3 / 1.5 / 0.5 W (70 V)
Mounting hole	145,00 mm
Weight	0,5 kg
Certificates	Ease
Dimensions (W x H x D)	x 77
Dimensions (ø x D)	168 x 77 mm
Gross weight	0,63 kg
Finish	Polypropylene resin, off-white (RAL 9010 or equivalent)

Appearance



UNIT:mm

SCALE:1/3