

The PC-3WR is a completely-sealed, flush-mounted ceiling speaker employing a high power handling, splash-proof, small full-range speaker. It can be quickly installed by means of a spring catch system, reducing labor in construction work. Its ideal applications include washrooms, locker rooms of the pool, and other humid locations.

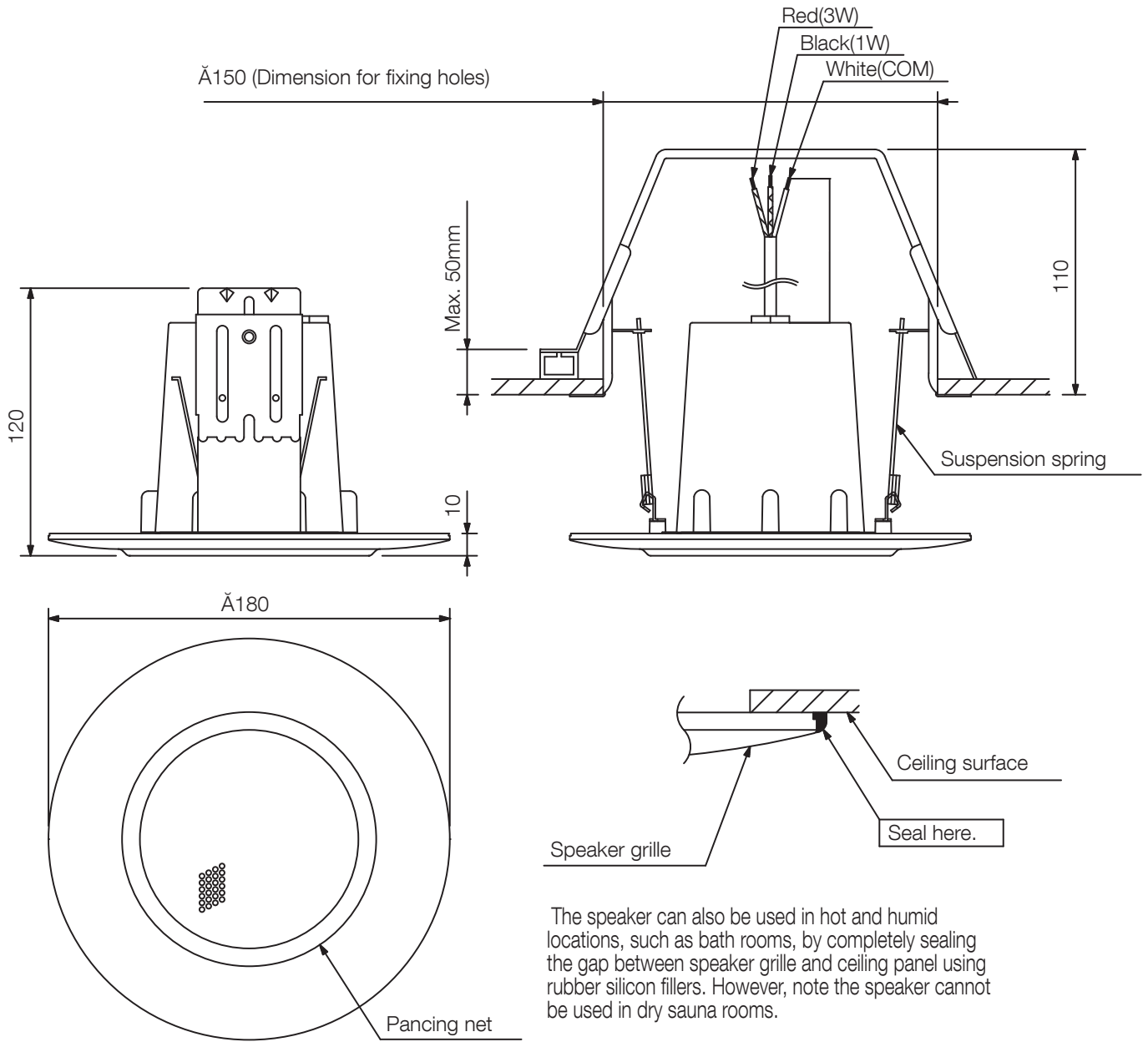


Order no: PC-3WR

Specifications

Frequency response	180 Hz - 20 kHz
Sensitivity (1#V, 1#m) (combined)	88 dB
Rated input	3 W
Tappings	3 / 1 W (100 V)
Mounting hole	150,00 mm
Weight	0,7 kg
Certificates	Ease
Dimensions (W x H x D)	x 120
Dimensions (ø x D)	180 x 120 mm
Gross weight	1 kg
Finish	ABS resin, traffic white (RAL 9016 or equivalent)
Operating temperature	-10 °C to +50 °C

Appearance



UNIT:mm SCALE:1/3

The speaker can also be used in hot and humid locations, such as bath rooms, by completely sealing the gap between speaker grille and ceiling panel using rubber silicon fillers. However, note the speaker cannot be used in dry sauna rooms.