

Integrated with a speaker unit and panel, the PC-2369 Ceiling Mount Speaker is of all metallic construction and ideal for use in a voice alarm system. It features a spring clamp mechanism for easy speaker mounting to the ceiling. The input impedance can be easily changed by changing the tap position of the transformer. The push-in type input terminal block makes cable connections easy and allows bridge wiring.

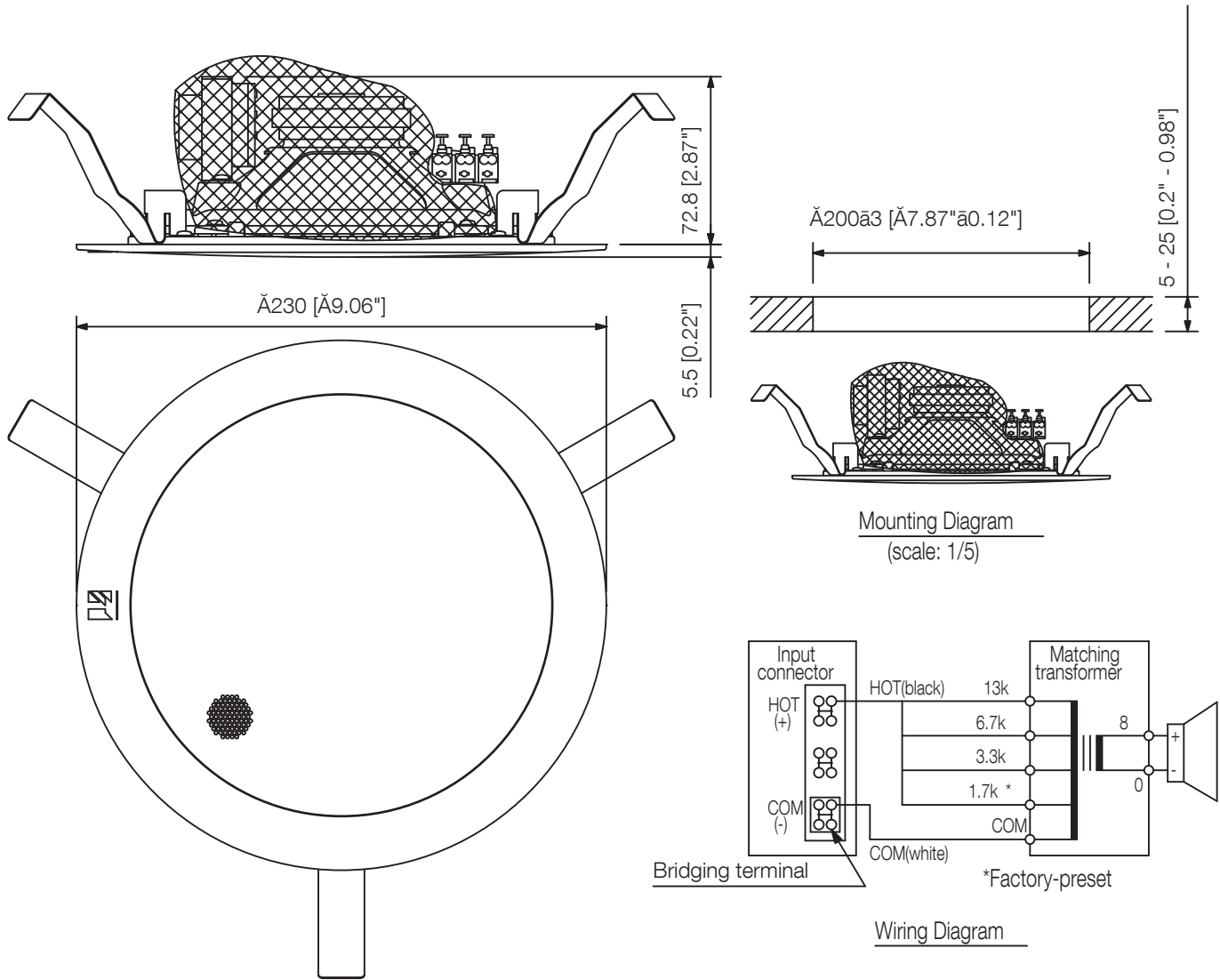


Order no: PC-2369

Specifications

Frequency response	45 Hz - 20 kHz
Sensitivity (1#V, 1#m) (combined)	93 dB
Speaker component	16 cm double cone-type
Rated input	6 W
Tappings	6 / 3 / 1.5 / 0.8 (100 V), 3 / 1.5 / 0.8 / 0.4 (70 V)
Mounting hole	200,00 mm
Weight	0,8 kg
Certificates	Ease
Dimensions (W x H x D)	x 79
Dimensions (ø x D)	230 x 79 mm
Gross weight	1,1 kg
Finish	Steel plate, traffic white (RAL 9016 or equivalent)

Appearance



UNIT:mm SCALE:1/3