

The P-1812 PA Amplifier delivers 120 W power output. It is so designed that its power ON/OFF can be remotely controlled when used in conjunction with A-1800 series PA Amplifiers (optional). The P-1812 can also be used as a stand-alone amplifier.



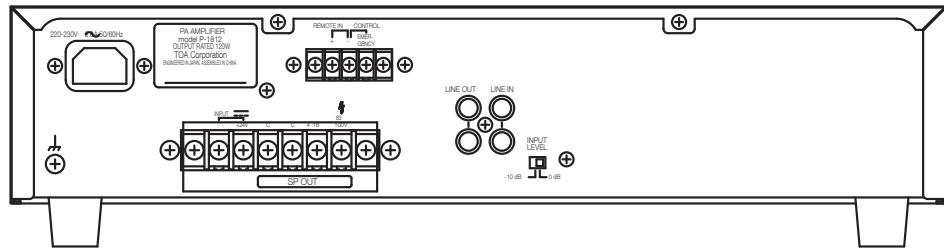
Order no: P-1812 ER
Alternative products: P-2240

Specifications

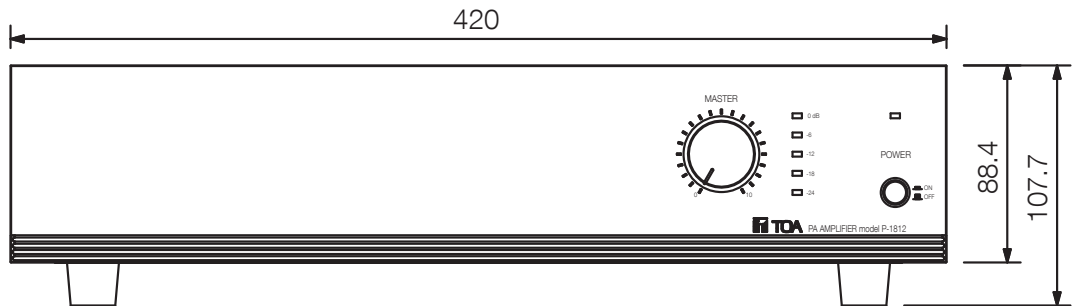
Power source	220 - 240 V AC, 50 / 60 Hz
Rated output	120 W
Frequency response	50 Hz - 20 kHz
Distortion	< 2 % (at 1 kHz, rated power)
Power consumption	258 W
S/N ratio	100 dB (Master volume: min) (Band Pass: 20 – 20,000 Hz) Over 97 dB (Master volume: max, INPUT LEVEL switch: 0 dB) Over 90 dB (Master volume: max, INPUT LEVEL switch: –10 dB)
Inputs	Line: 0 / -10 dBV, 10 k Ω , transformer balanced, RCA pin jack
Outputs	Line: 0 dBV, 600 Ω , unbalanced, RCA pin jack Speaker out: High impedance: 83 Ω (100 V), M4 screw terminal Low impedance: 4 – 16 Ω , M4 screw terminal
Control input	POWER REMOTE: No-voltage make contact input, open voltage: 24 V DC short-circuit: under 1 mA, M3 screw terminal EMERGENCY: No-voltage make contact input, open voltage: 24 V DC short-circuit: under 1 mA, M3 screw terminal
Number of channels	1
Indicator	5-point LED output level meter, Power indicator LED
Weight	12,2 kg
Dimensions (W x H x D)	420 x 107,7 x 367 mm
Dimensions (ϕ x D)	x 367 mm
Gross weight	15,7 kg
Finish	ABS resin, Steel plate, hairline, black
Operating temperature	-10 to + 40 °C

Appearance

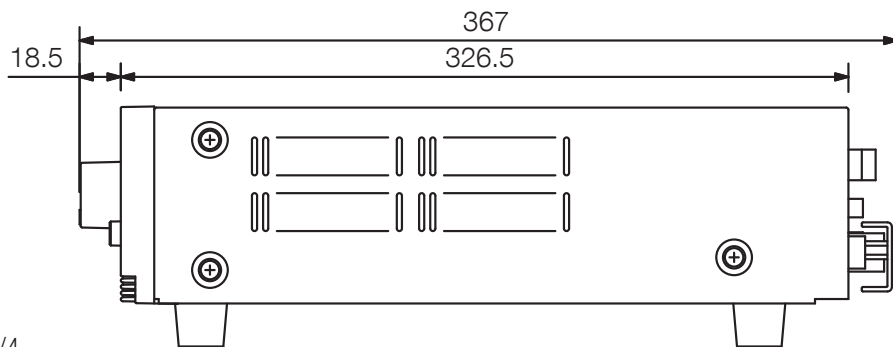
Rear View



Front View



Side View



UNIT:mm

SCALE:1/4