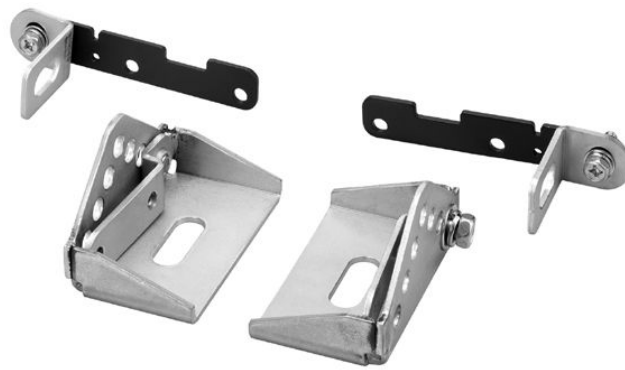


HY-WM2WP

SPEAKER MOUNTING BRACKET

The HY-WM2WP is used exclusively to mount the HX-5 series speaker system closely to a wall or ceiling. The bracket helps to achieve clearer sound reproduction by minimizing phase interference generated by sound waves reflecting from walls or ceilings. This bracket is designed for outdoor use.



Order no: HY-WM2WP EU

Specifications

Weight	600,0 g
Gross weight	0,7 kg
Finish	Stainless steel,

HY-WM2WP

SPEAKER MOUNTING BRACKET

Appearance

