

HY-CN1WWP

SPEAKER EXTENSION BRACKET

The HY-CN1W-WP is used to join 2 HX-5 series speaker systems, typically for the purpose of achieving better speaker directivity control in lower frequencies. Such directivity control helps achieve clearer and longer-range-sound reproduction in locations where sound efficiency may be hampered by conditions like long reverberation time or a high level of background noise. This bracket is designed for outdoor use.



Order no: HY-CN1W-WPEU

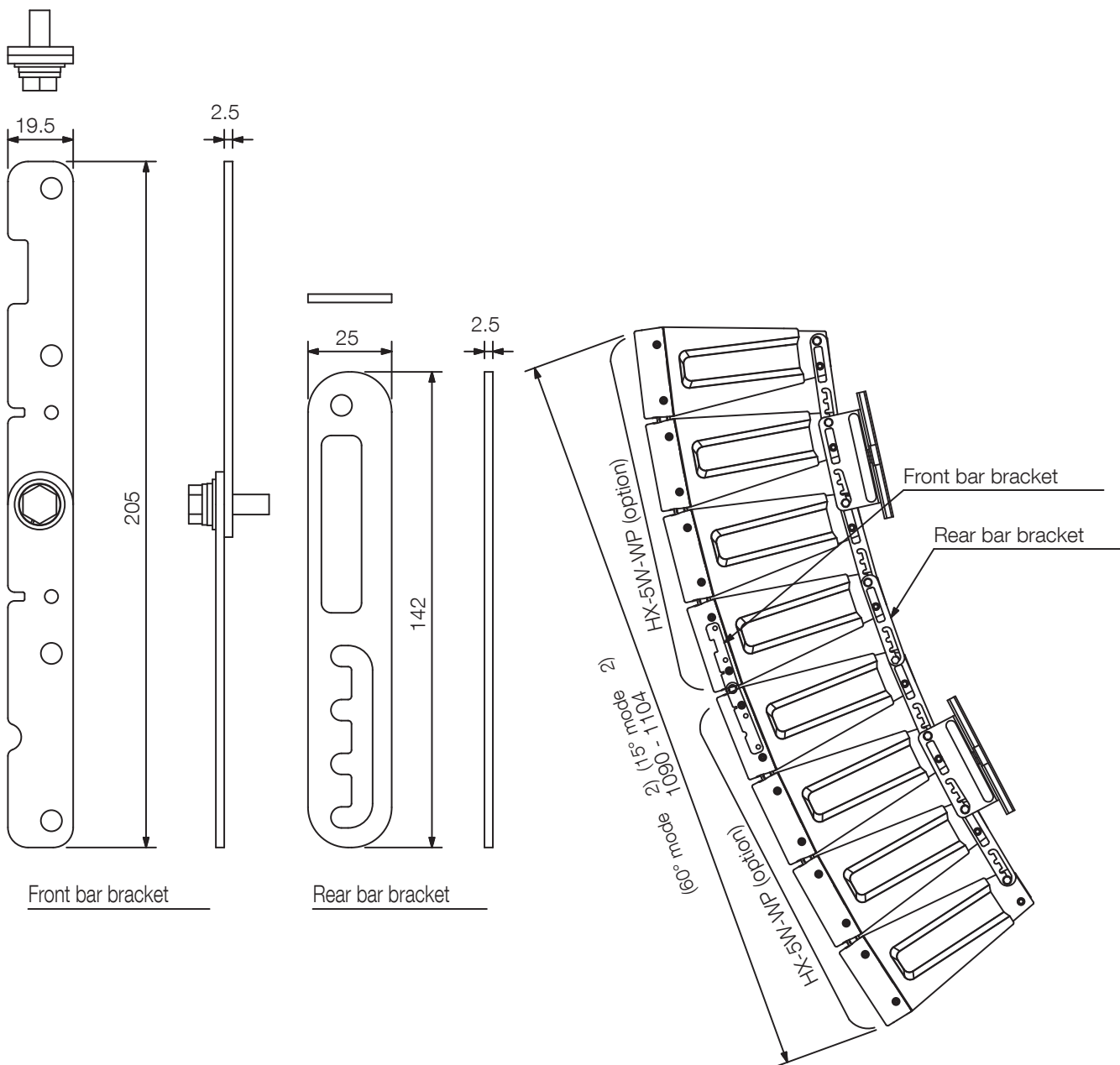
Specifications

Weight	200,0 g
Gross weight	0,24 kg
Finish	Stainless steel, semi-gloss, paint, white

HY-CN1WWP

SPEAKER EXTENSION BRACKET

Appearance



Front bar bracket

Rear bar bracket

Speaker mounting example (scale: 1/10)

UNIT:mm

SCALE:1/2