

HY-60DB

ANGLE ADJUSTMENT BRACKET

By using three HY-60DB brackets, the directivity angle mode of the HX-7B can be changed to 60° mode. It is also possible to change the directivity angle mode to 15° mode, 30° mode, or 45° mode.



Order no: HY-60DB

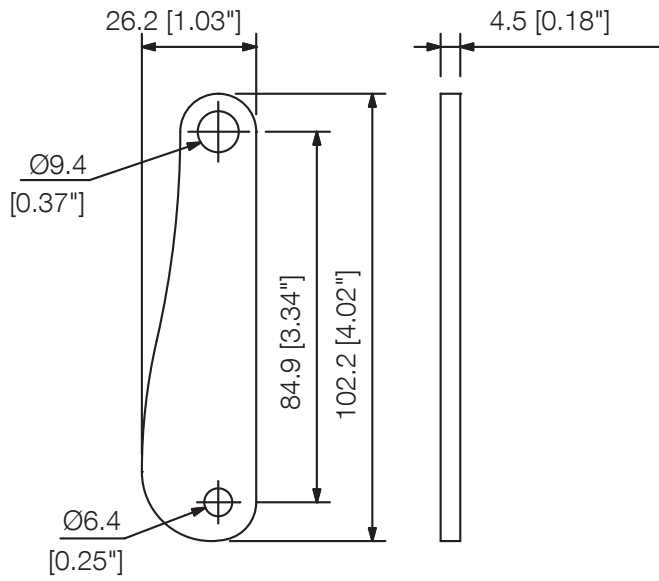
Specifications

Weight	70,0 g
Gross weight	0,2 kg
Finish	Steel plate, semi-gloss, paint, black

HY-60DB

ANGLE ADJUSTMENT BRACKET

Appearance



Mounting example (scale: 1/10)

