

# HX-7W

SPEAKER SYSTEM

The HX-7W is a 2-way compact speaker system that permits both constant directivity control over a wide frequency range and changes in vertical directivity. Its adopted wave front control technology is ideal for reproducing clear sound in spaces with long reverberation times or high background noise. The HX-7W is designed for indoor use.



Order no: HX-7W

## Specifications

Frequency response	75 Hz - 20 kHz
Connection	Speakon NL4MP x 2 and M4 screw terminal, distance between barriers: 9 mm (0.35")
Sensitivity (1#V, 1#m) (combined)	100 dB
Speaker component	Low frequency: 13 cm cone-type x 8; High frequency: Wave front control horn with compression driver x 4
Directivity angle horizontal	100 °
Rated input	250 W
Rated impedance	8 Ω
Crossover frequency	2 kHz
Power handling capacity	Continuous pink noise: 250 W (IEC60268-5: 350 W) / Continuous program: 750 W
Weight	30,0 kg
Certificates	IPX4, Ball-proof
Dimensions (W x H x D)	497 x 664 x 274 mm
Dimensions (ø x D)	x 274 mm
Gross weight	38 kg
Finish	Polypropylene resin, paint, traffic white (RAL 9016 or equivalent)
Operating humidity	90% at 40°C, 2 h
Operating temperature	-10°C ~ +50°C

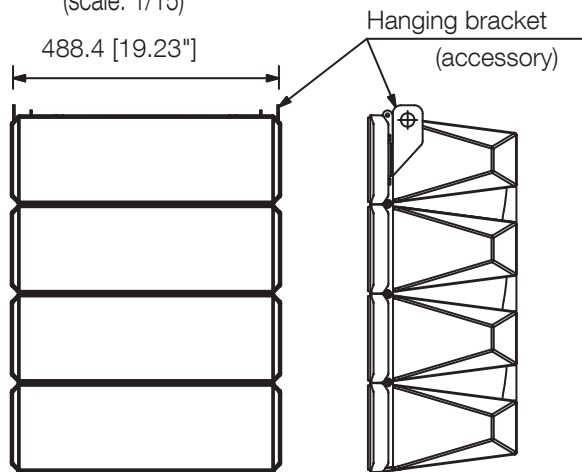
Appearance

Example for hanging bracket mounting

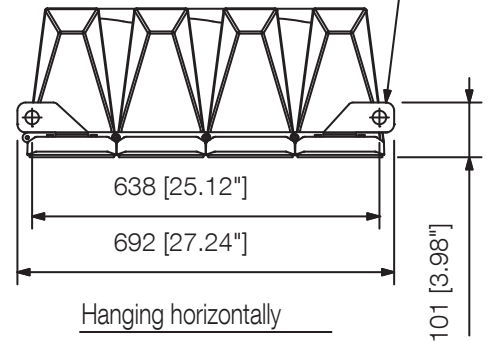
(scale: 1/15)

488.4 [19.23"]

Hanging vertically



Hanging bracket  
(accessory)



Hanging horizontally

UNIT:mm

SCALE:1/10