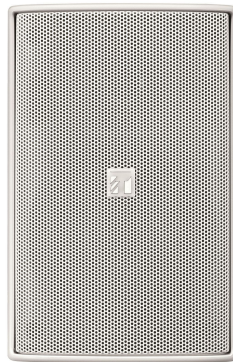


F-1000W

SPEAKER SYSTEM

The F-1000 Series Speaker are compact two-way speaker systems designed for high efficiency, wide range, and high power input handling capability. These speaker systems can be installed in a manner ideal for the location and intended application.



Order no: F-1000W

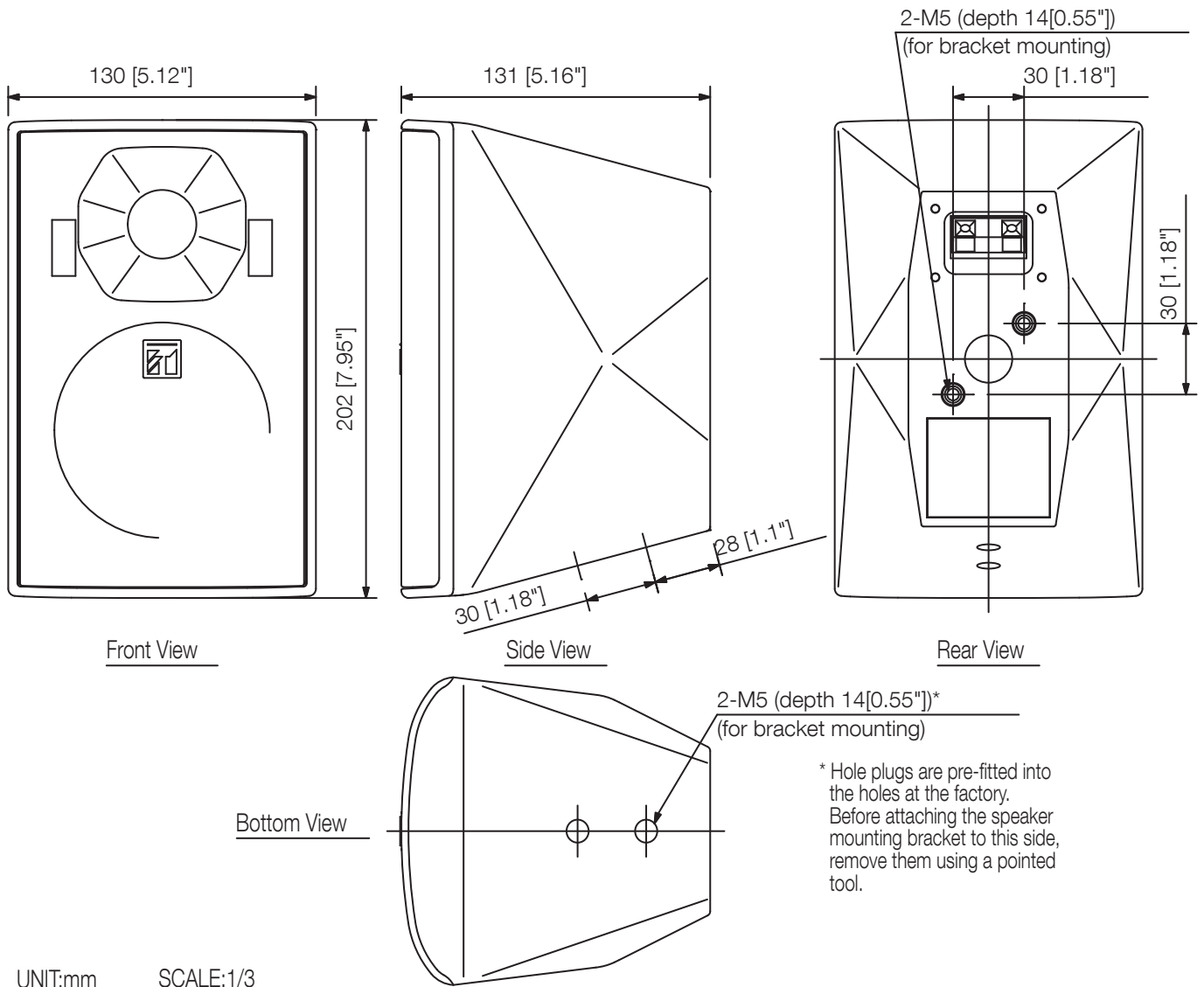
Specifications

Frequency response	85 Hz - 20 kHz
Connection	Clamp terminal
Sensitivity (1#V, 1#m) (combined)	87 dB
Speaker component	Low: 10 cm cone-type, High: 2.5 cm balanced dome-type
Directivity angle horizontal	90 °
Directivity angle vertical	90 °
Rated impedance	8 Ω
Crossover frequency	5 kHz
Power handling capacity	30 W (continuous pink noise), 90 W (continuous program)
Weight	1,8 kg
Certificates	Ease
Dimensions (W x H x D)	130 x 202 x 131 mm
Dimensions (ø x D)	x 131 mm
Gross weight	2,4 kg
Finish	HIPS resin, off-white (RAL 9010 or equivalent)

F-1000W

SPEAKER SYSTEM

Appearance



UNIT:mm

SCALE:1/3