

# F-1000WTWP

SPEAKER SYSTEM

The F-1000 Series Speaker are compact two-way speaker systems designed for high efficiency, wide range, and high power input handling capability. These speaker systems can be installed in a manner ideal for the location and intended application. The F-1000BTWP features a water-proof design (splash-proof type meeting IPX4 standard), so that it can be permanently installed outdoors.



Order no: F-1000WTWP

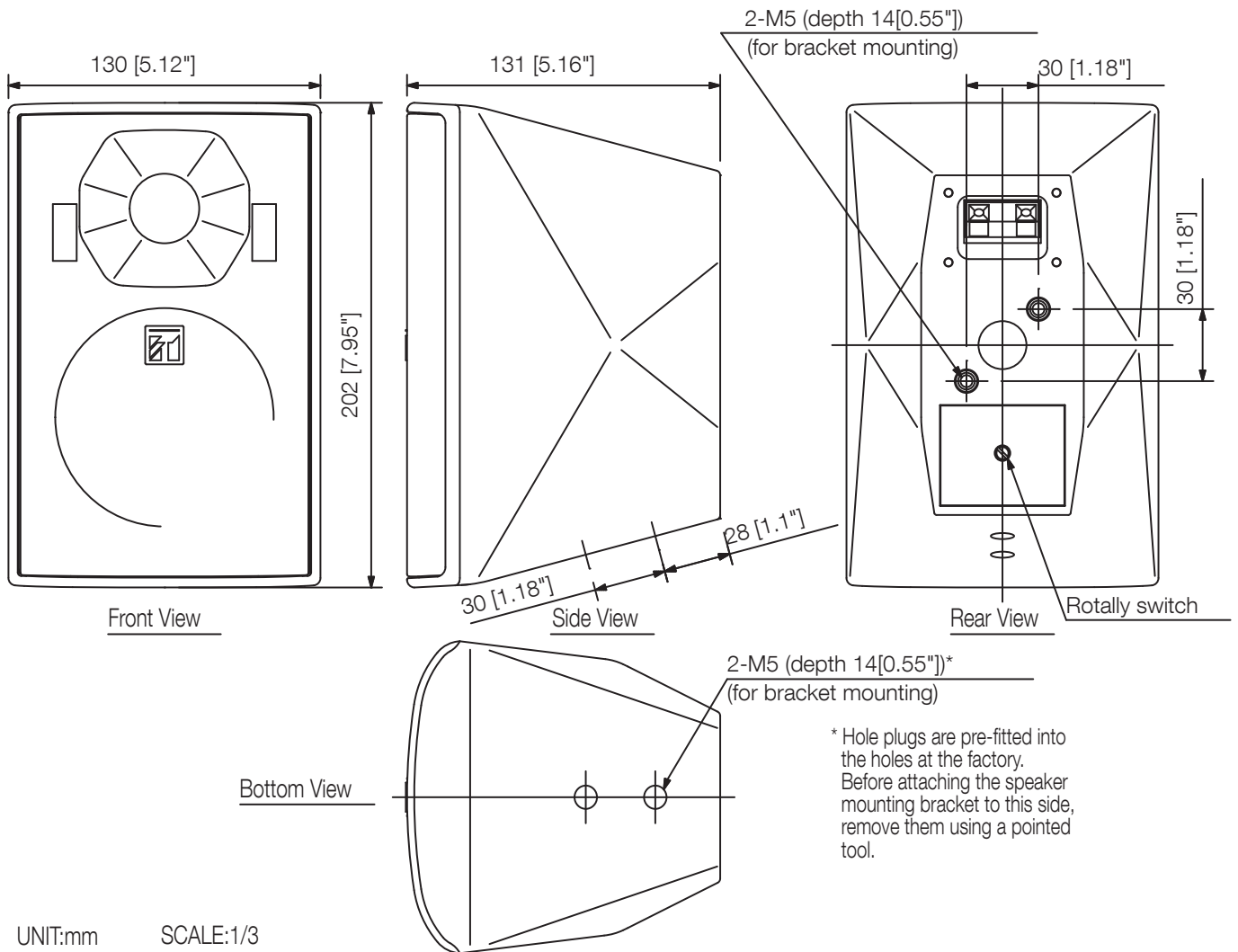
## Specifications

Frequency response	85 Hz - 20 kHz
Connection	Clamp terminal
Sensitivity (1#W, 1#m) (combined)	87 dB
Speaker component	Low: 10 cm cone-type, High: 2.5 cm balanced dome-type
Directivity angle horizontal	90 °
Directivity angle vertical	90 °
Rated input	15 W
Tappings	15 / 5 / 3 / 1 W (100 V), 15 / 7.5 / 2.5 / 1.5 / 0.5 W (70 V)
Rated impedance	70 V, 100 V
Crossover frequency	5 kHz
Weight	2,0 kg
Certificates	IPX4, Ease
Dimensions (W x H x D)	130 x 202 x 131 mm
Dimensions (ø x D)	x 131 mm
Gross weight	2,7 kg
Finish	HIPS resin, off-white (RAL 9010 or equivalent)

# F-1000WTWP

SPEAKER SYSTEM

Appearance



\* Hole plugs are pre-fitted into the holes at the factory. Before attaching the speaker mounting bracket to this side, remove them using a pointed tool.