

The CS-64 outdoor speaker features stainless steel hardware for all-weather durability. It is designed to offer the high intelligibility of weather-resistant horns combined with the high sound quality of dynamic speakers. The CS-64 employs the rotary switch that facilitates impedance changes.

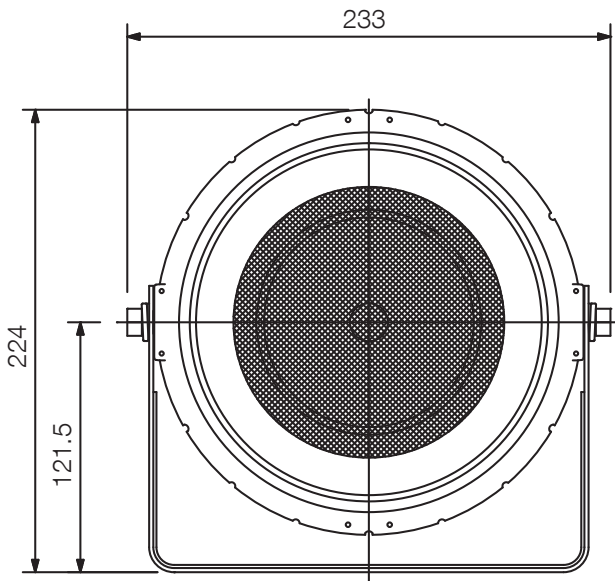


Order no: CS-64 EU

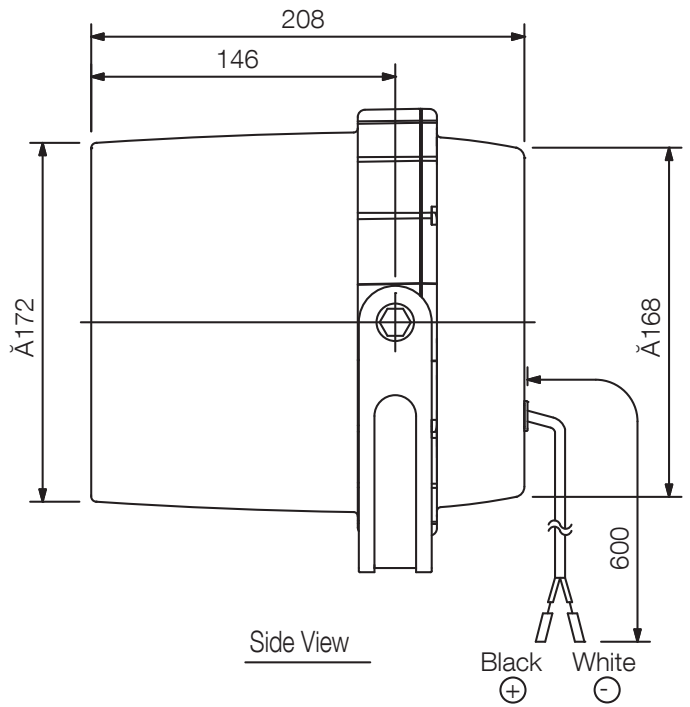
Specifications

Frequency response	130 Hz - 13 kHz
Sensitivity (1#W, 1#m) (combined)	96 dB (330 Hz - 3,3 kHz, pink noise)
Speaker component	12 cm cone-type
Rated input	6 W
Tappings	6 / 3 / 1 W (100 V), 6 / 3 / 1.5 / 0.5 W (70 V)
Weight	1,5 kg
Certificates	Ease
Dimensions (W x H x D)	233 x 224 x 208 mm
Dimensions (ø x D)	x 208 mm
Gross weight	2,2 kg
Finish	ABS resin, papyrus white (RAL 9018 or equivalent)

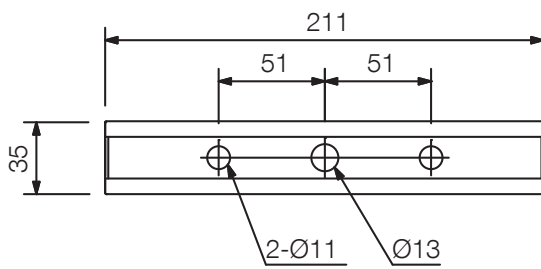
Appearance



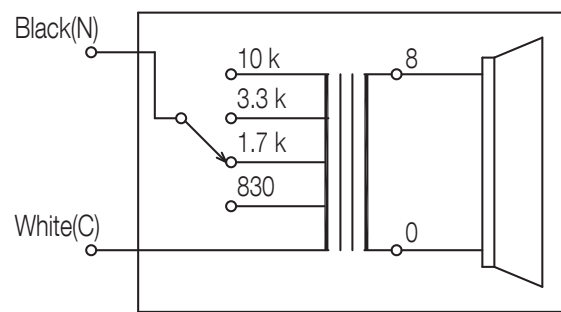
Front View



Side View



Dimensional Diagram



(Transformer connection when the speaker is supplied from the factory)

Wiring Diagram

UNIT:mm

SCALE:1/4