

The CA-115 is a 1-DIN size unit 15 W car amplifier designed for use with a 12 V battery car.

---



Order no: CA-115 EU

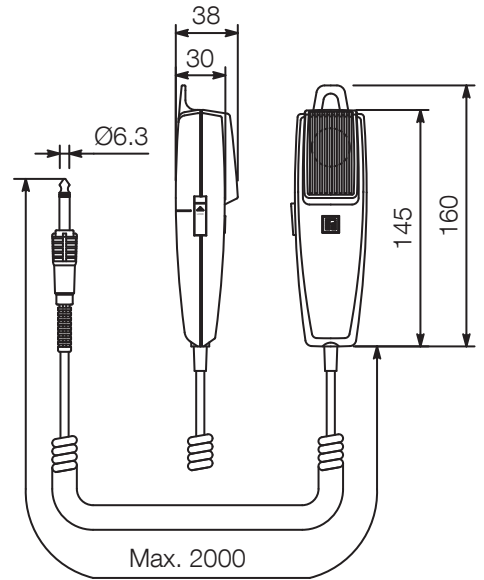
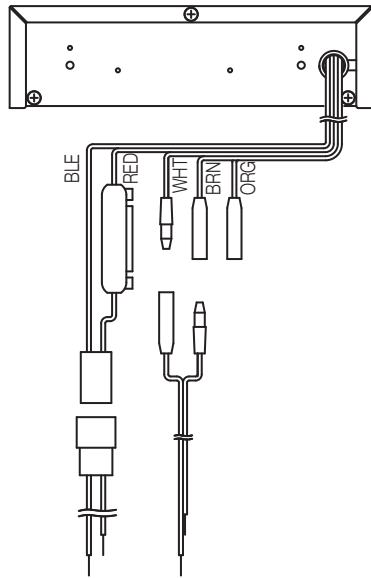
---

## Specifications

Power source	14 V DC (10 - 16 V DC)
Rated output	15 W
Frequency response	100 Hz - 10 kHz ( $\pm 3$ dB)
Distortion	< 5 % (at 1 kHz)
Inputs	MIC 1,2: 600 $\Omega$ , 4 mV, phone jack AUX: 10 k $\Omega$ , 500 mV, phone jack terminal
Outputs	4 $\Omega$ / 8 $\Omega$
Weight	0,9 kg
Dimensions (W x H x D)	178 x 50 x 132 mm
Dimensions ( $\phi$ x D)	x 132 mm
Gross weight	1,58 kg
Finish	ABS resin, Steel plate, black

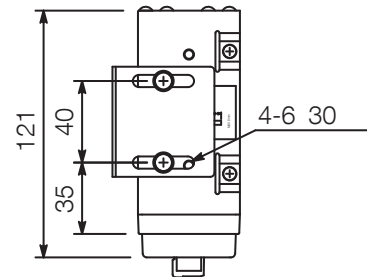
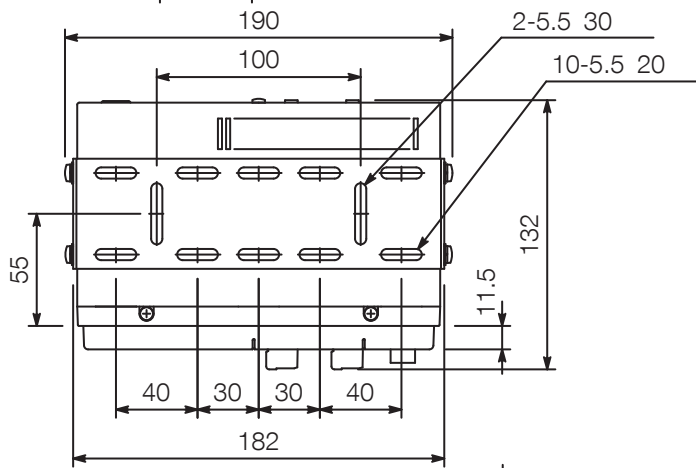
Appearance

Rear View



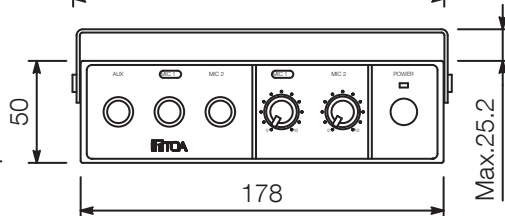
Accessory microphone (1/5)

Top View



Side View

Front View



UNIT:mm

SCALE:1/4